

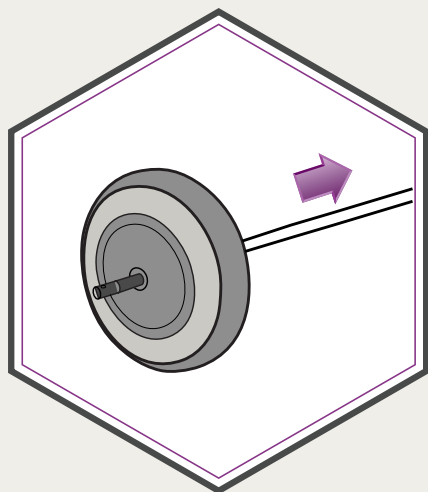
INSTRUCTION MANUAL

. BOUTIQUE CAMPING .

Heavy Duty Trolley

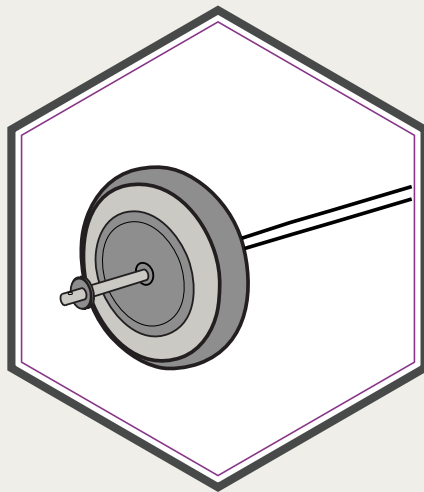


how to set up your heavy duty trolley



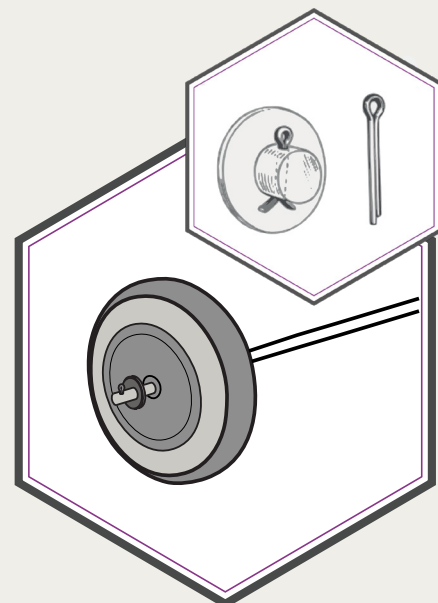
1.

Slide each wheel on to each axel



2.

Apply the washer



3.

Thread the split pin through the hole and separate pin to secure in place



A glamping experience you'll never forget

We would love to share some pictures on our social media, so please do email us your images to

info@boutiquecamping.com

The Star Bell Tent is Protected by Registered Design to Boutique Camping Supplies Ltd

www.boutiquecamping.com | +44(0)2033942986 | info@boutiquecamping.com